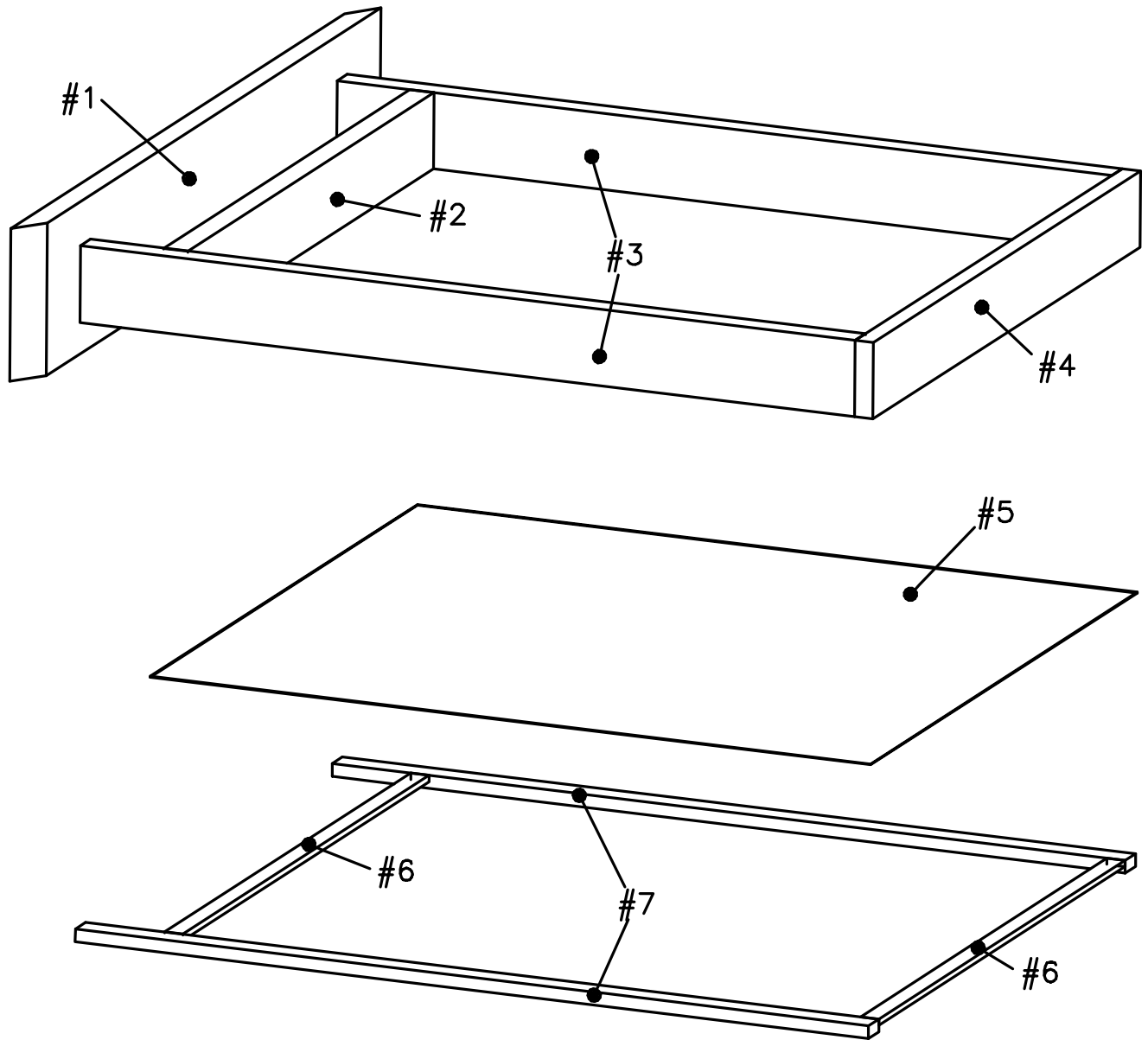


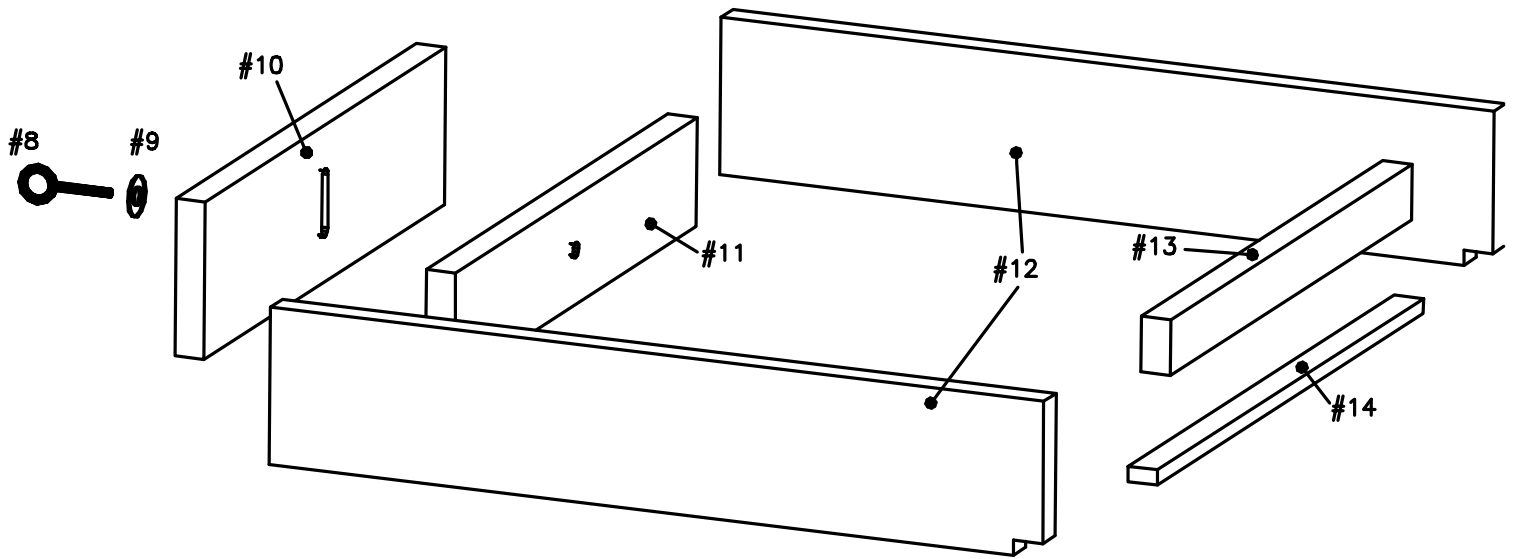
Sundance Pollen Trap

Drawer Assembly



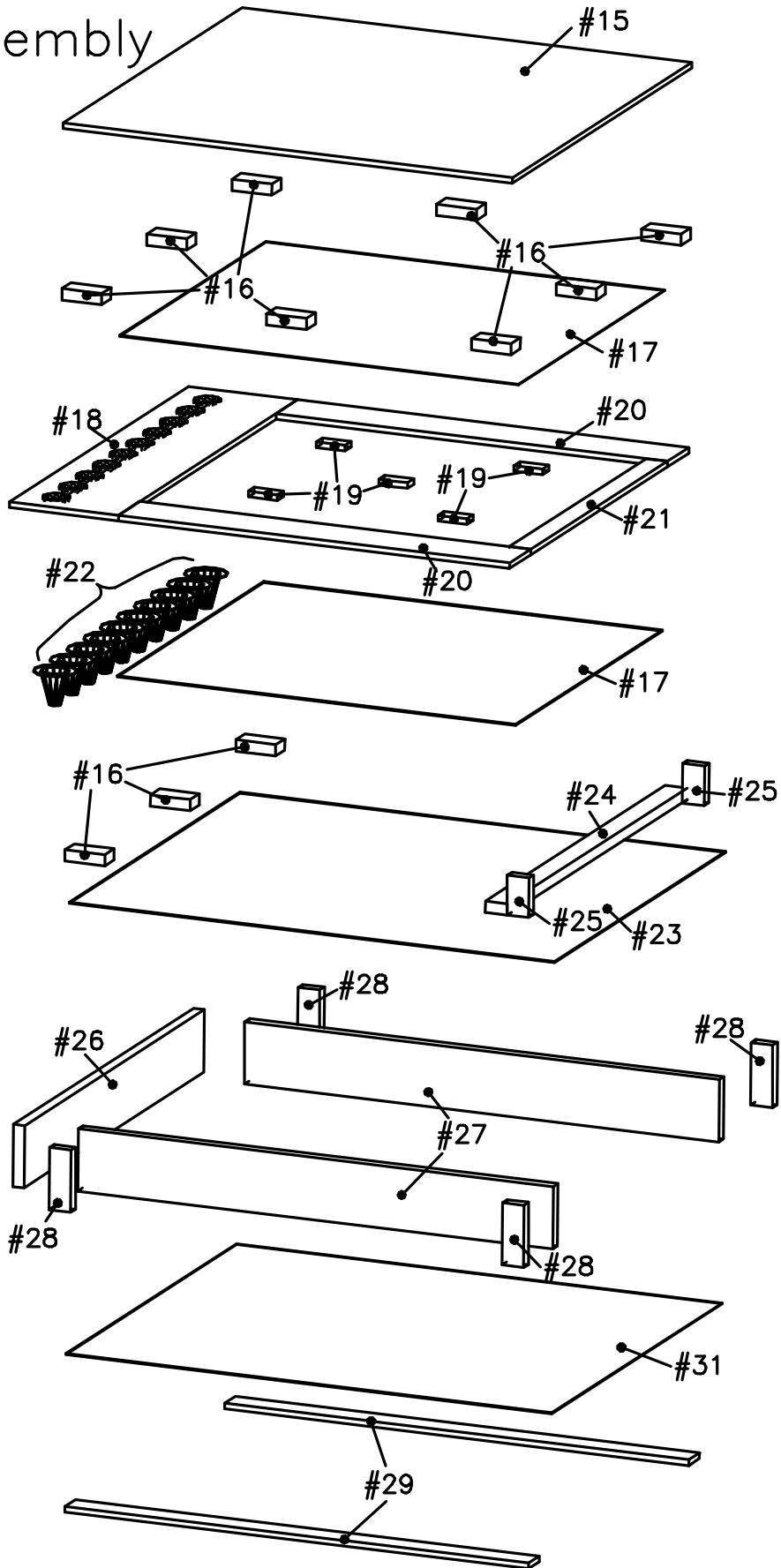
Sundance Pollen Trap

Body Assembly



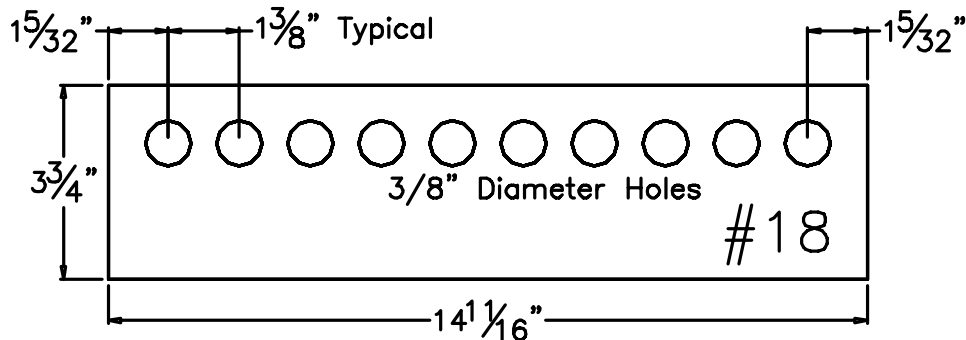
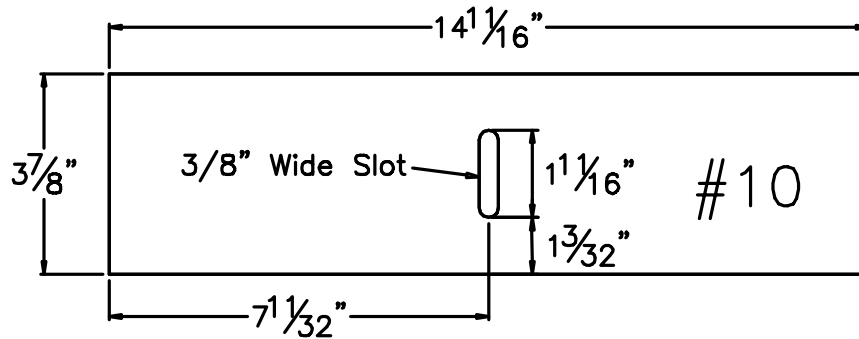
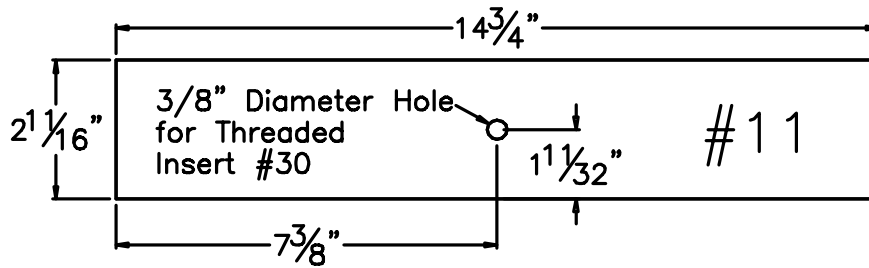
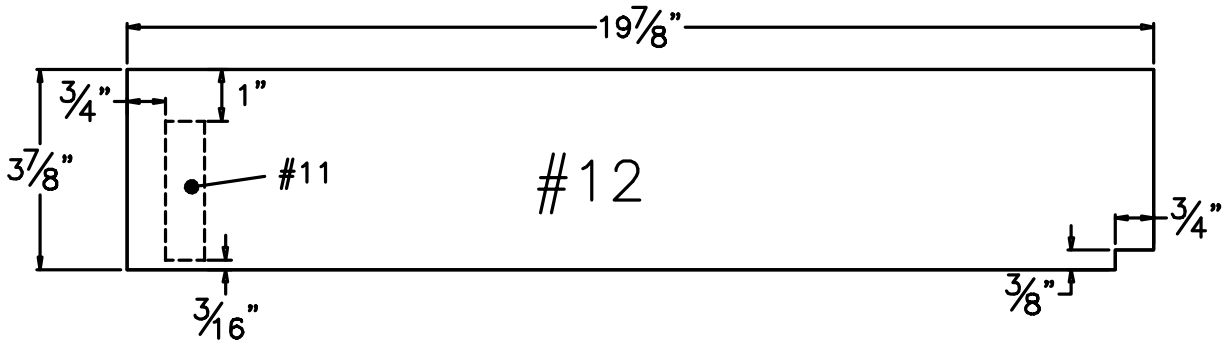
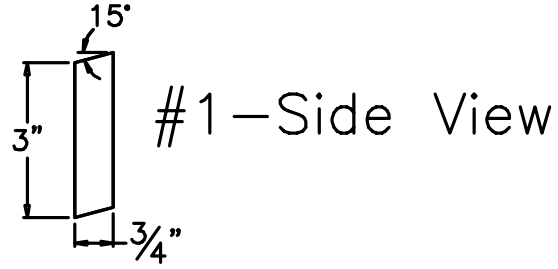
Sundance Pollen Trap

Inner Assembly



Sundance Pollen Trap

Details



Sundance Pollen Trap

Parts List

Number	Description	Dimentions	Quantity
1	Drawer face*	3" x 3/4" x 16-1/4"	1
2	Drawer front	1-1/2" x 1/2" x 12"	1
3	Drawer side	1-1/2" x 15-7/8" x 1/2"	2
4	Drawer back	1-1/2" x 3/8" x 13"	1
5	Drawer mesh - 14 wire per inch stainless steel mesh	14-3/4" x 13"	1
6	Drawer mesh support	1/8" x 3/8" x 12"	2
7	Drawer mesh side support	1/4" x 16-1/4" x 1/2"	2
8	3/16" Threaded eye bolt	1-1/2" Long	1
9	Washer	1" OD washer, 7/16" ID	1
10	Moveable entrance door*	3-7/8" x 3/4" x 14-11/16"	1
11	Body front*	2-11/16" x 3/4" x 2-11/16"	1
12	Body sides*	3-7/8" x 19-7/8" x 3/4"	2
13	Body upper back	1-3/8" x 3/8" x 14-3/4"	1
14	Body lower back	3/8" x 3/4" x 16-1/4"	1
15	Debris board	3/8" x 15-1/2" x 14-11/16"	1
16	3/8" Spacer	3/8" x 1-3/8" x 3/4"	11
17	Pollen removal mesh - 5 wire per inch mesh	13-3/4" x 12"	2
18	Excape board*	3/16" x 14-11/16" x 3-3/4"	1
19	3/16" Spacer	3/16" x 1" x 1/2"	5
20	Side pollen mesh support	3/16" x 13-1/2" x 1-3/4"	2
21	Back pollen mesh support	3/16" x 3/4" x 11-3/16"	1
22	Bee escape cones.		10
23	Mesh - 7 wire per inch mesh	16-3/4" x 14"	1
24	3/8" Long space	3/8" x 3/4" x 14-3/4"	1
25	Back spacer	1-5/16" x 3/4" x 3/8"	2
26	Drawer space front	2-1/16" x 3/8" x 14-3/4"	1
27	Drawer space side	2-1/16" x 16-3/8" x 3/8"	2
28	Drawer space side spacers	2-1/16" x 3/4" x 3/8"	4
29	Drawer support	3/16" x 16" x 7/8"	2
30	3/16" Threaded Insert in #11		1
31	Mesh - 8 wire per inch mesh	16-3/4" x 14"	1
	* Irregular sized part, see detail.		